

**TA105WA12LED**  
No-Load Electronic Transformer



Efficiency	>85%
Power Factor	>98%
Case TC	90°C Max.
Protection	Input / Output
Storage	-30°C / +90°C
Humidity	95% RH Max.
IP Rating	IP60
Class	Class 2
Dimming	ELV



**FEATURES**

- No load technology, works with both halogen & LED, AC or DC loads
- Dimmable with ELV type dimmers
- Isolated output power per NEC and UL safety requirements
- UL recognized/listed Class 2 power supply, meets UL 2108 requirements
- Auto-reset; short circuit, overload and thermal protection
- Soft start
- Low profile, small compact design to fit in most enclosures
- Available with optional UL listed indoor and outdoor remote enclosures

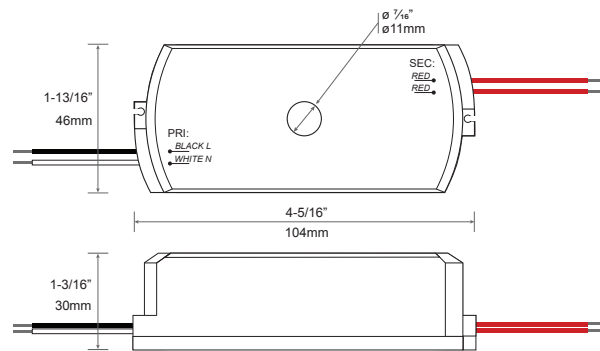
**MODEL SPECIFICATIONS**

Model Number	Input Voltage	Wattage	Input Current	Output Voltage	Weight	Load Type
TA105WA12LED	120V AC 50/60Hz	105W	0.88A	12V AC	250g	AC LED Bulbs, Incandescent & Halogen Bulbs

**MECHANICAL SPECS**

FORM FACTOR	DIMENSIONS
E5	104 x 46 x 30mm

**E5**



REMOTE ENCLOSURE OPTIONS	
G2 (Indoor -RE)	233.1 x 85.5 x 48.9mm
G3 (Outdoor -REO)	280 x 103 x 56mm

