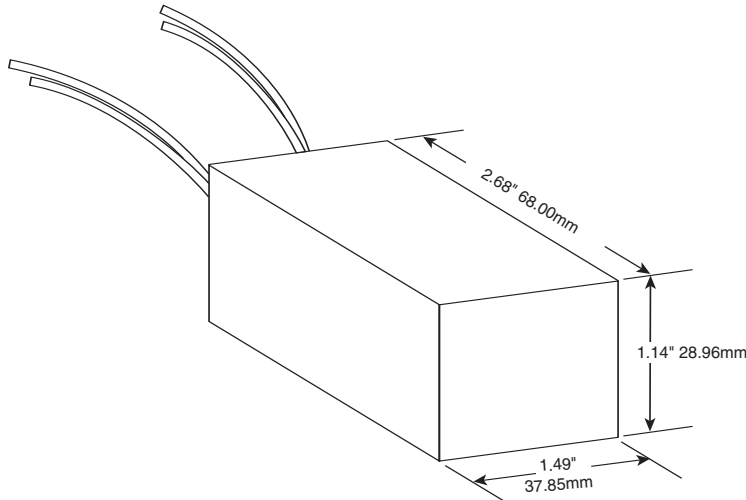


HATCH™

60 & 75 WATT "V" SERIES ELECTRONIC TRANSFORMER



VS



Note: VS style 60 and 75 Watt Transformers are provided with UL approved high temperature 3M double sided tape for adhering transformer to enclosure.

Hatch Lighting, Inc.
7821 Woodland Center Boulevard • Tampa, FL 33614
Ph: 813-288-8006 • Fax: 813-288-8105
www.HatchLighting.com

Electronic Low Voltage Transformer:

- High Reliability
- Moisture and Shock Resistant
- Emits No Audible Noise
- Low Harmonic Distortion
- High Power Factor
- Lightweight, Compact Design
- Works with most commercially available dimmers. Hardwire electronic dimmers are recommended for optimum performance

Environmental Specifications

Maximum Case Temperature	80°C
Sound Rating	A+
Operating Humidity	95% relative humidity, non-condensating
Environmental Protection	Epoxy Sealed for moisture resistance and shock vibration resistance

Electrical/Mechanical Specifications

Enclosure Material	UL
.....	Flame Retardant,
.....	High Temperature, Engineering Resin
Color	Black
Weight	4 oz.
Power Factor	> 0.95
Operating Frequency	25 KHz
Total Harmonic Distortion	≤ 20%
Safety Standard	cULus
.....	(Class 2-up to 60 Watt only)
Input Leads	6", 18AWG stranded,
.....	105 degree C stripped 3/8" tinned
Output Leads	6", 18AWG stranded,
.....	105 degree C stripped 3/8" tinned

Soft Start Circuitry

All models of Hatch low-voltage transformers utilize a soft start circuitry to maximize lamp life. The soft start circuit ramps up the lamp filament voltage slowly when the lamp is cold.

Electronic Short-Circuit Protection

All Hatch low-voltage transformers employ our (ESP) Electronic Short Circuit and over load Protection. The ESP sensing circuit will instantly shut down the output before any of the components are stressed if a short circuit or over load is detected. The transformer will automatically reset as soon as the fault is corrected.



VS STYLE 60 AND 75 WATT ELECTRONIC TRANSFORMERS

HARDWIRE ELECTRONIC

Max Watts	Min Watts	Input Volts	Output Volts	Input Amps	Output Amps	Wiring Dia.	Hatch Item No.	Safety Listing
60	10	120	11.5	0.52	5.2	A	VS12-60W	UL/C-UL Recognized, Class 2
			23.5	0.52	2.6	A	VS24-60W	
		230	11.5	0.26	5.2	A	VE12-60W	None
		<hr/>						
75	10	120	11.5	0.63	6.25	A	VS12-75W	UL/C-UL Recognized
			277	11.5	0.27	6.25	A	
		230	11.5	0.27	6.25	A	VE12-75W	None
			<hr/>					

* Must use a minimum of 20 watts when using a dimmer.

WIRING DIAGRAMS

DIAGRAM A

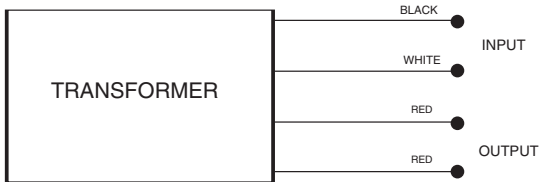
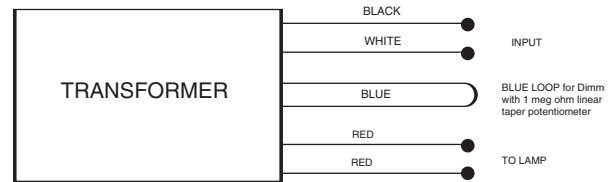


DIAGRAM B



* WD models have dimming loop for use with 1 meg ohm potentiometer versus line side dimmer controls