

LED UNDER CABINET PUCK LIGHT



INSTRUCTIONS PERTAINING TO RISK OF FIRE OR INJURY TO PERSONS READ ALL INSTRUCTIONS

IMPORTANT SAFETY INSTRUCTIONS SAVE THESE INSTRUCTIONS

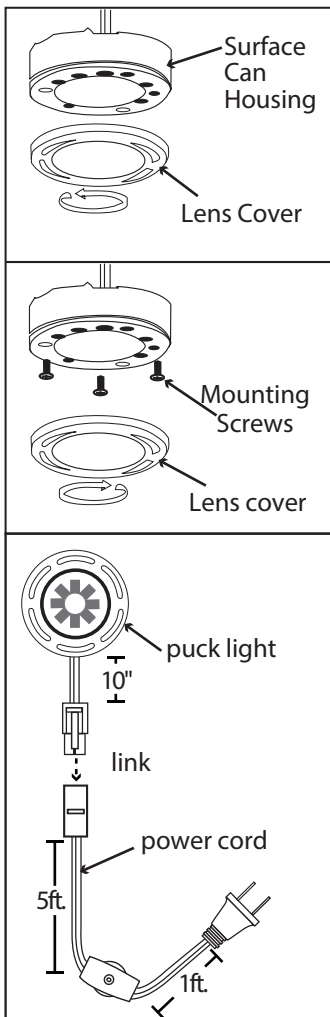
Wire as required by electrical code

SAFETY PRECAUTIONS:

This fixture is equipped with a polarized plug (a plug having one blade wider than the other). This plug will fit in a polarized outlet only one way. This is a safety feature. If you are unable to insert the plug fully into the outlet, reverse the plug. If it still will not fit, contact a qualified electrician. Never use with an extension cord unless the plug can be fully inserted.

INSTALLATION:

OPTION #1 - SURFACE MOUNT



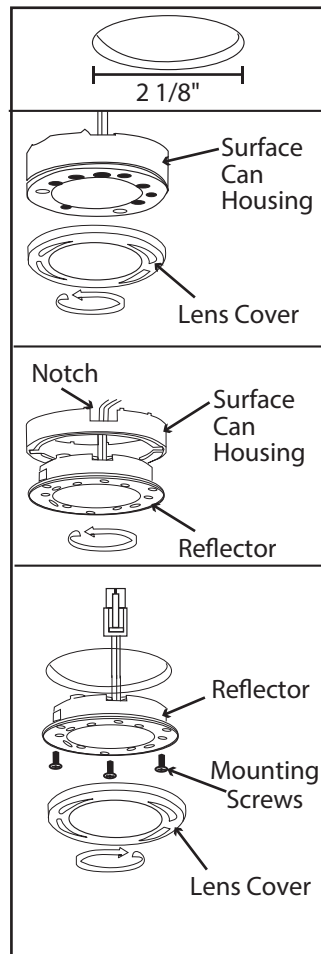
1. Remove lens cover by twisting counter-clockwise.

2. Attached puck to mounting surface with 3 mounting screws (included). Replace lens cover.

3. Link puck with power cord
Secure cord to mounting surface using wire clips included.

Plug cord into power outlet.

OPTION #2 - RECESSED



1. Drill a 2 1/8" hole in the underside of the cabinet

2. Remove lens cover by twisting counter-clockwise.

3. To remove the housing cover lift cord up from notch and twist the reflector counter-clockwise.

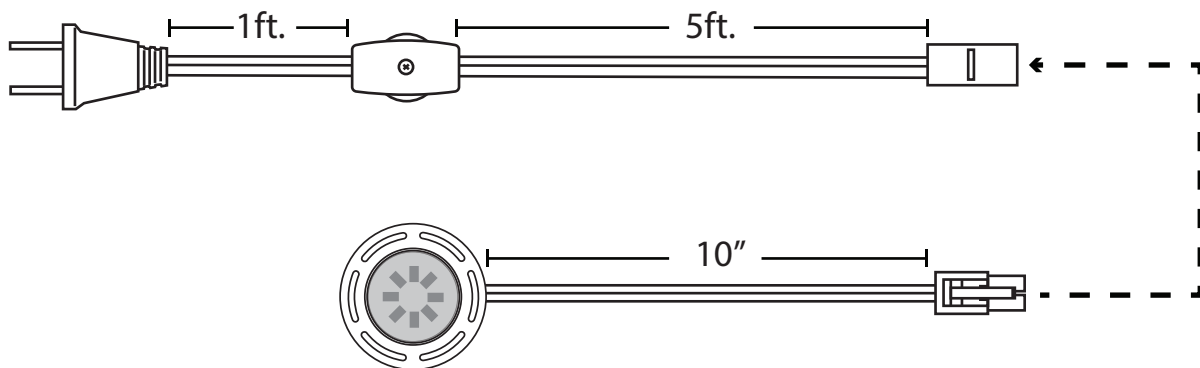
Discard housing.

4. Feed cord through drilled hole and push puck snugly into place. Secure with 3 mounting screws (included). Replace lens cover.

5. Link puck with power cord. Plug cord into power outlet. (see step 3 in surface mount instruction)

Optional hardwire kit (sold separately).

SINGLE PUCK LIGHT KIT



3 x PUCK LIGHT KIT

